

# GOG9xx14

## THREE PHASE AC-DC BRIDGE

Fuse protection  
Temperature sensors  
Snubber for SCR's protections  
Extractible stacks for easy field service

**LINE VOLTAGE UP TO 690V**  
**DC OUTPUT CURRENT 1440A**

**GOG96014**

Line to line voltage	<b>690 V</b>
----------------------	--------------

Characteristic		Conditions			Value
I <sub>DC</sub>	DC output current				1440 A
V <sub>INS</sub> (rms)	Insulation voltage				3000 V

### THYRISTOR TRIGGERING CHARACTERISTICS

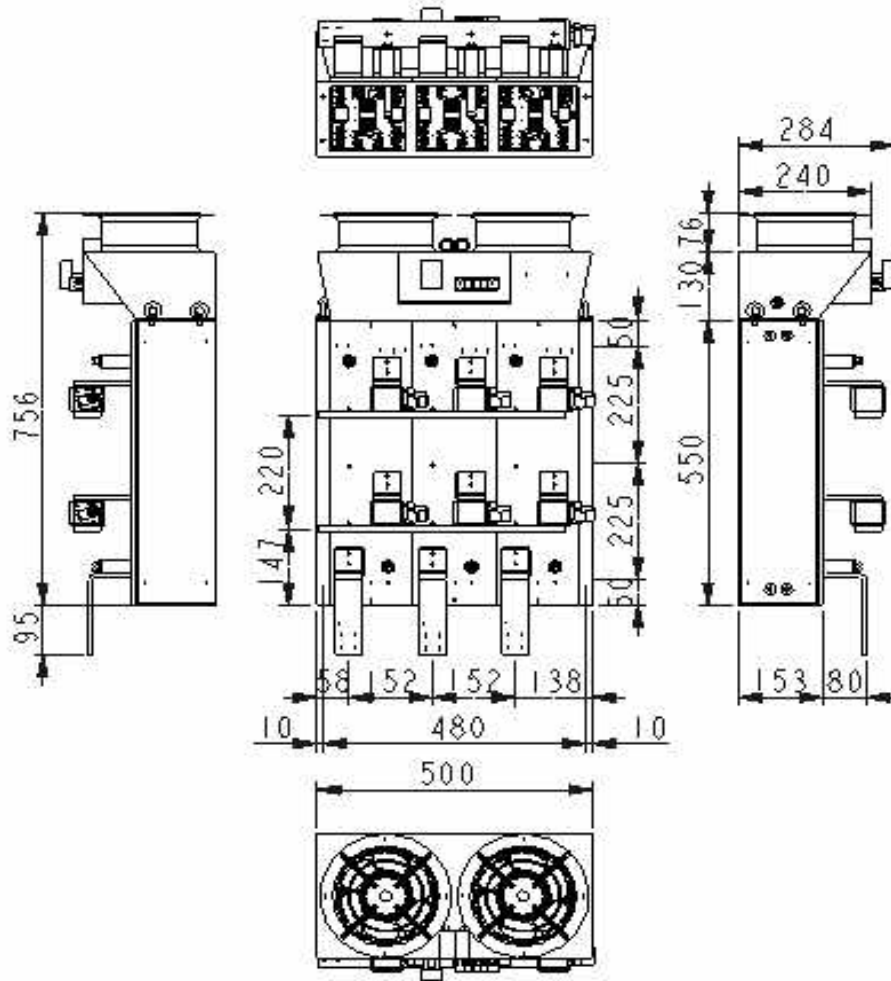
V <sub>GT</sub>	Gate trigger voltage	T <sub>j</sub> = 25 °C, V <sub>D</sub> = 5 V			3 V
I <sub>GT</sub>	Gate trigger current	T <sub>j</sub> = 25 °C, V <sub>D</sub> = 5 V			300 mA
dV/dt	Critical rate of rise off-state voltage	T <sub>j</sub> = 125 °C			1000 V/us
V <sub>RRM</sub>	Blocking Voltage	T <sub>j</sub> = 125 °C			2200 V

### FUSE TYPE SIBA 2068132.1000

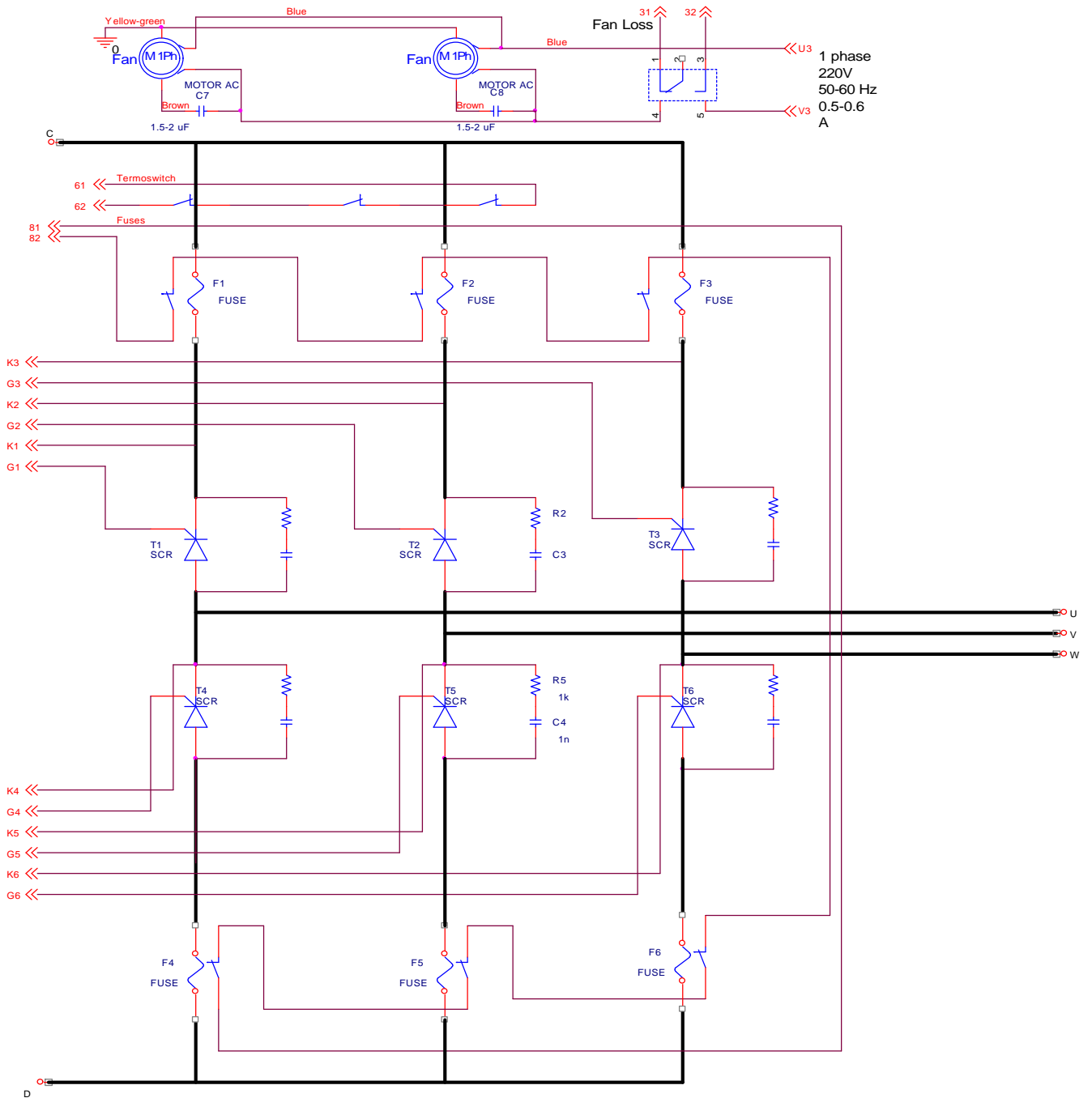
V <sub>NF</sub>	Rated voltage				690 V
I <sub>NF</sub>	Rated current				900 A
P <sub>VF</sub>	Power loss	At rated current			120 W
I <sup>2</sup> t	Total I <sup>2</sup> t				660 kA <sup>2</sup> s

### MECHANICAL AND THERMAL CHARACTERISTICS

	Width				500 mm
	Depth				275 mm
	Height				855 mm
	Mass				70 kg
T <sub>a max</sub>	Max amb. op. Temp.				40 °C
T <sub>stg</sub>	Storage temperature				-40/125 °C



In the interest of product improvement Green Power Semiconductors reserves the right to change any specification given in this data sheet without notice.



In the interest of product improvement Green Power Semiconductors reserves the right to change any specification given in this data sheet without notice.